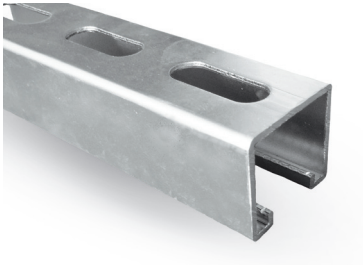


Channel LDB-STRUT

[Download Wentyle](#)
[Download AlnorCAM](#)

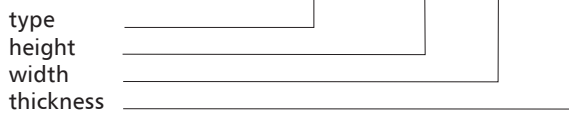


Description

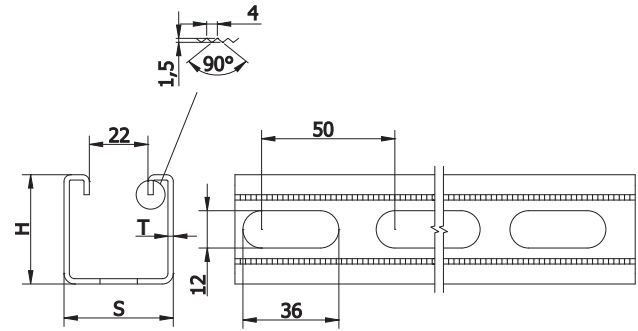
The LDB-STRUT channel is used for the suspension of rectangular ventilation ducts. During the assembly it is joined with PG threaded rods. Additionally on whole length LDB-STRUT channel has got special indentation which available using slide cap under steal rod during joining LDB-STRUT with PG threaded rods.

Example identification

Product code: LDB-STRUT - 41 - 41 - 2,0



Dimensions



code	H [mm]	S [mm]	E [mm]
LDB-STRUT-21-41-2,0	21	41	2,0
LDB-STRUT-21-41-2,5	21	41	2,5
LDB-STRUT-41-41-2,0	41	41	2,0
LDB-STRUT-41-41-2,5	41	41	2,5