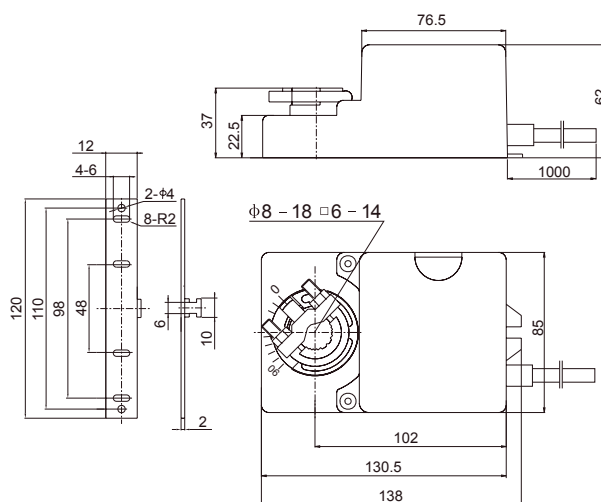


Servomotors

TD-04, TD-06, TA-04, TA-06



Dimensions



Description

TD and TA series servo-motors are designed for driving single-plane dampers of maximal diameter 400 mm. The servo-motors have "Off", "On" or three point controlling. The TD and TA servo-motors are equipped with a general-purpose clamp which enables connecting to round and square rod.

Example identification

Product code: **TD-06 - 230**



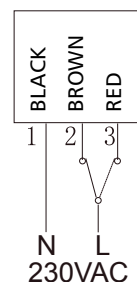
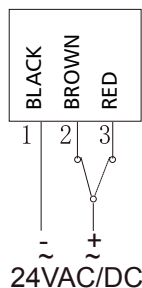
| Type | Power supply | Diameter Ød / max area m ² | Torque [Nm] | Rotating time [s] | Rotating angle [°] | Shaft / Square shaft | Mounting |
|-----------|--------------|---------------------------------------|-------------|-------------------|--------------------|----------------------------|------------------|
| TD-04-24 | AC/DC 24V | 80-355 0,8 m ² | 4 Nm | 30 - 120 | 0 - 93 | Ø 8 - 18 mm □ 6 - 14 mm | W - longitudinal |
| TD-04-230 | AC 230V | 80-355 0,8 m ² | 4 Nm | 30 - 120 | 0 - 93 | Ø 8 - 18 mm □ 6 - 14 mm | W - longitudinal |
| TD-06-24 | AC/DC 24V | 200-500 1 m ² | 6 Nm | 30 - 120 | 0 - 93 | Ø 8 - 18 mm □ 6 - 14 mm | W - longitudinal |
| TD-06-230 | AC/DC 230V | 200-500 1 m ² | 6 Nm | 30 - 120 | 0 - 93 | Ø 8 - 18 mm □ 6 - 14 mm | W - longitudinal |
| TA-04-24 | AC/DC 24V | 80-355 0,8 m ² | 4 Nm | 30 - 150 | 0 - 93 | Ø 8 - 18 mm □ 6 - 14 mm | W - longitudinal |
| TA-04-230 | AC/DC 230V | 80-355 0,8 m ² | 4 Nm | 30 - 150 | 0 - 93 | Ø 8 - 18 mm □ 6 - 14 mm | W - longitudinal |

Technical Data

Control Open/Close / Control 3-points control

Control Open/Close / Control 3-points control

Note:
connected via a 24V
safety transformer



| | TD-04-24 | TD-04-230 |
|---------------------|--|------------------------|
| power supply | AC 24 V ± 10% 50/60 Hz DC 24 V ± 10% 50/60 Hz | AC 230 V ±10% 50/60 Hz |
| operatin power | 4 - 5 W | 4 - 5 W |
| standstill power | 2.5 W | 2.5 W |
| torque | 4 Nm | 4 Nm |
| rotation angle | 0 - 90° (max 93°) | 0 - 90° (max 93°) |
| rotating time | 30 - 120 s | 30 - 120 s |
| noise level | 40 dB (A) | 40 dB (A) |
| position indicator | mechanical | mechanical |
| protection class | IP 54 | IP 54 |
| ambient temperature | - 6... + 55°C | - 6... + 55°C |
| allowable humidity | 95% | 95% |
| overload protection | automatic | automatic |