

# Window reveal module

## HRU-WALL-WREV



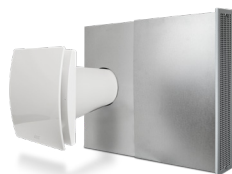
### Description

A window reveal module for the decentralised heat recovery units - HRU-WALL series. The module is intended for installation in the facade, in the insulation layer, a ventilation grille is mounted on the window reveal. The window reveal module provides practically invisible solution for supply/extract ducting. This method of installation will be especially useful during the thermal modernization of the building. The product has a universal layout, the choice of "right-sided" or "left-sided" assembly is made at the construction site. In addition, a slope for possible condensation growth was implemented into the design. The duct is telescopic, which means that the distance from the axis of the HRU to the window reveal can be adjusted in the range of 380-490 mm.



The module is compatible with the following units:

- HRU-WALL-150-60
- HRU-WALL-RC-150-60

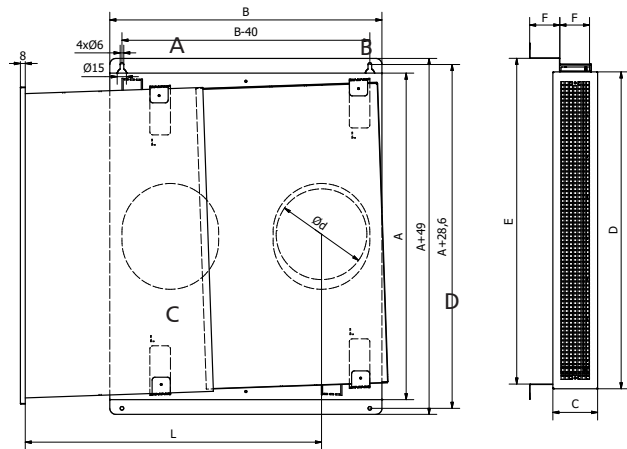


Product code example

Product code: **HRU-WALL-WREV - 150**

type \_\_\_\_\_  
diameter \_\_\_\_\_

### Dimensions



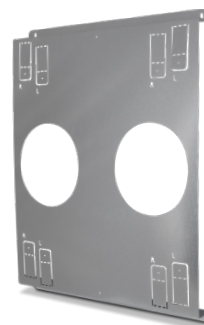
Ød	L	A	B	C	D	E	F
[mm]	[mm]	[mm]	[mm]	[mm]	[mm]	[mm]	[mm]
150	380-490	540	450	74	524	539	50

The window reveal modul consists of the following components - sold separately:



#### HRU-WALL-WREV-150

a flat duct for air supply and exhaust with mounting brackets and a sealing tape



#### HRU-WALL-WREV-FRAME

a mounting frame for HRU-WALL-WREV



#### HRU-WALL-WREV-GRILL

a grille for HRU-WALL-WREV