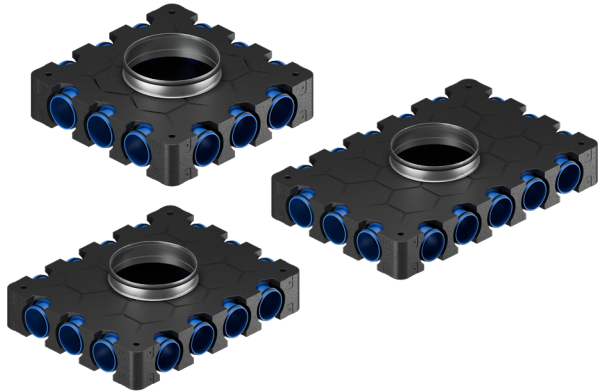


Manifold for FLX-REKU system

FLX-PLO-EPP-R-90

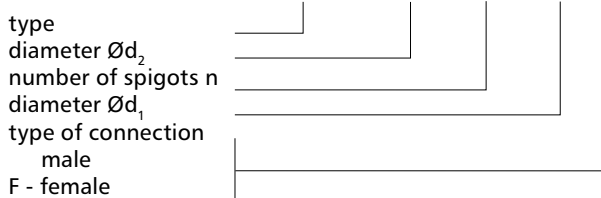


Description

FLX-PLO-EPP-R-90 manifolds are intended for use in domestic mechanical ventilation systems. These manifolds connect semi-rigid ducting with a 90mm diameter, which is then distributed to the rooms. A typical MVHR installation will have 1 to 2 such manifolds on the supply air duct and similarly on the extract air duct. Manifolds are constructed using expanded polypropylene (EPP), which also has an insulating property. Additional advantages of EPP include its lightweight with a strong stiffness at the same time, good acoustical properties, and corrosion resistance. For building residential ventilation systems in ATC2 (D) air-tightness class acc. to EN 17192:2018.

Product code example

Product code: **FLX-PLO-EPP-R - 90 - 3-6-3-0 - 160 - F**

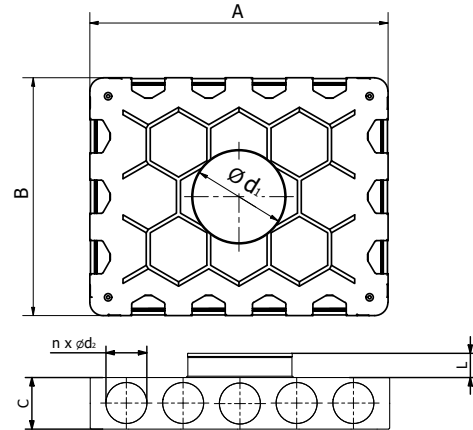


Technical data

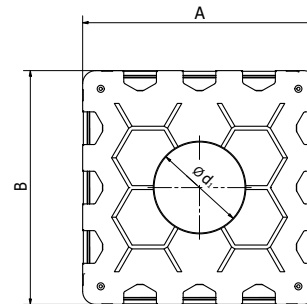
Service temperature	-25°C do +80°C	PN-EN 17192:2019
Reaction to fire	E	EN 13501-1
Thermal conductivity	$\lambda = 0,0038 \text{ W/(m}\cdot\text{k)}$	PN-EN 12664:2002
Microbial resistance	1a	Metoda A PN-EN ISO 846:2019

Dimensions

An example of a technical drawing of FLX-PLO-EPP-R-90-3-4-3-4-d1 distribution box



An example of a technical drawing of FLX-PLO-EPP-R-90-3-3-3-3-d1 distribution box



Code	n	$\text{Ø}d_2$ [mm]	A [mm]	B [mm]	C [mm]	L [mm]
FLX-PLO-EPP-R-90-0-0-0-3-d1	3	90	393	357	100	36
FLX-PLO-EPP-R-90-0-0-0-4-d1	4	90	466	393	100	36
FLX-PLO-EPP-R-90-0-0-0-5-d1	5	90	575	393	100	36
FLX-PLO-EPP-R-90-0-0-3-3-d1	6	90	393	393	100	36
FLX-PLO-EPP-R-90-0-0-3-4-d1	7	90	502	393	100	36
FLX-PLO-EPP-R-90-0-0-3-5-d1	8	90	611	393	100	36
FLX-PLO-EPP-R-90-0-4-3-4-d1	11	90	502	429	100	36
FLX-PLO-EPP-R-90-0-5-3-5-d1	13	90	611	429	100	36
FLX-PLO-EPP-R-90-3-0-3-3-d1	9	90	429	393	100	36
FLX-PLO-EPP-R-90-3-0-3-4-d1	10	90	538	393	100	36
FLX-PLO-EPP-R-90-3-0-3-5-d1	11	90	647	393	100	36
FLX-PLO-EPP-R-90-3-3-3-3-d1	12	90	429	429	100	36
FLX-PLO-EPP-R-90-3-4-3-4-d1	14	90	538	429	100	36
FLX-PLO-EPP-R-90-3-5-3-5-d1	16	90	647	429	100	36

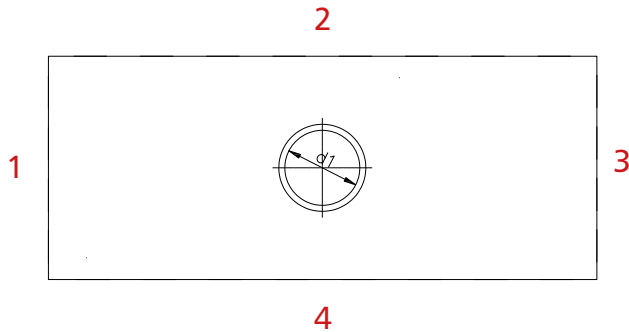
diameter $\text{Ø}d_1$ 125–250 mm

Manifold for FLX-REKU system

FLX-PLO-EPP-R-90

How to order

Product code: FLX-PLO-EPP-R-90-1-2-3-4-Ød₁

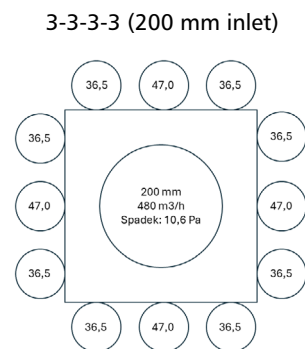
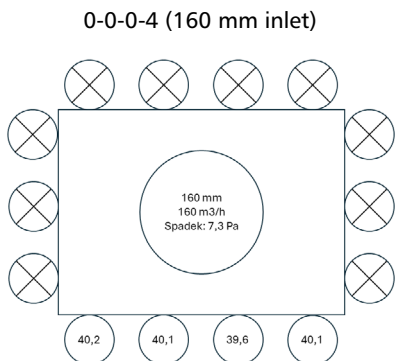
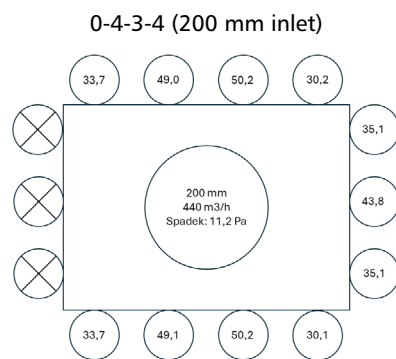
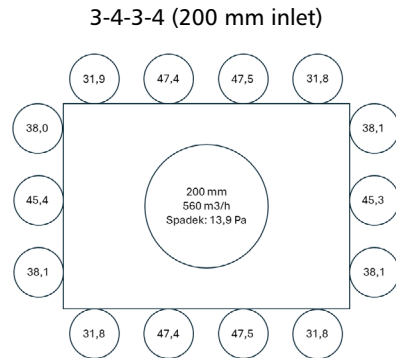
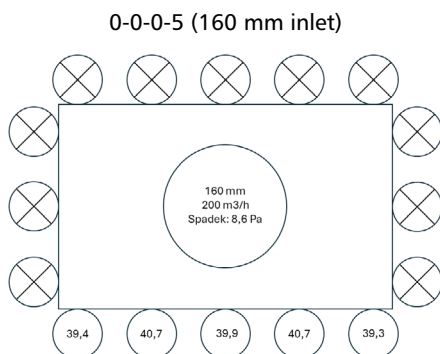
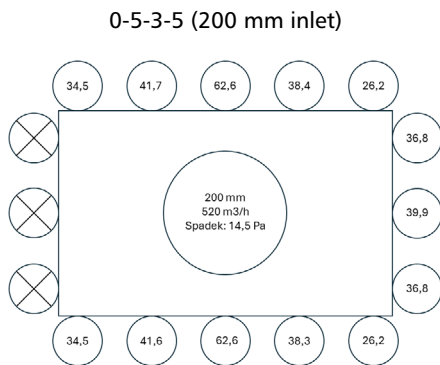


where:
 type FLX-PLO-EPP-R
 Ød₂ FLX-HDPE-90 duct spigot diameter
 1-2-3-4 number and configuration of connection spigots
 Ød₁ 125-250 mm SPIRAL duct diameter
 F female connection / no symbol = male connection

Non-symmetrical connection points possible, in order to make the hole yourself on site as needed.

Types of plenum boxes

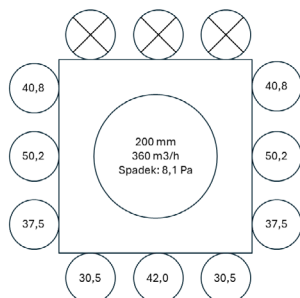
Examples of air flow distribution (supply air):



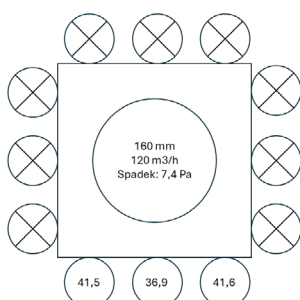
Manifold for FLX-REKU system

FLX-PLO-EPP-R-90

3-0-3-3 (200 mm inlet)



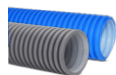
0-0-0-3 (160 mm inlet)



The FLX-CS-PVC end caps fit the $\varnothing d_2$ connection spigots



You may also need:



FLX-HDPE / FLX-HDPE-A Semi-rigid ducting



FLX-CS-PVC End caps

Installation method

To install manifolds (distribution boxes), use:

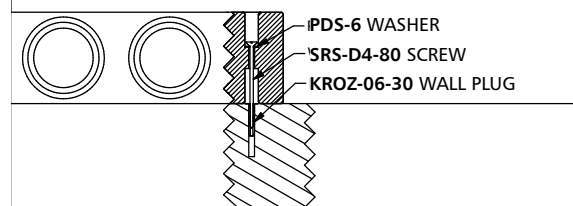
- The set of 4 pieces: washer, screw, wall plug
- The set of 4 pieces: angle bracket, screw



Angle brackets for easy installation
Code: FLX-BRACK-10-EPP

Note! All mounting accessories must be purchased separately!

Installation using wall plugs



Installation using angle brackets

