

45° Ventilation bend made of EPP

EPP-BPF-45



Description

Ventilation bends 45° made from expanded polypropylene (EPP). Bends are produced in diameters 125, 150, 160 and 180mm. The standard wall thickness is 15mm (gray). Each bend is delivered with one female coupling in the set, the connection method eliminates thermal bridges.

Thermal conductivity: 0.039 W / m * K
Airtightness class: C
Surface roughness: 0.077 mm

Available materials:

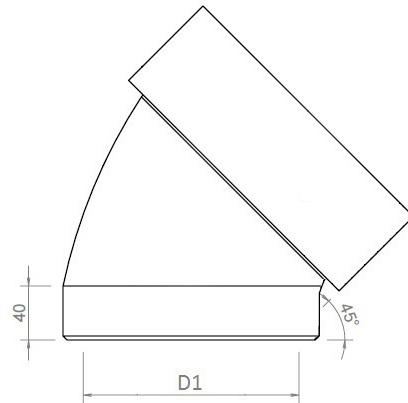
EPP-BPF-....- EPP (expanded polypropylene)

Example of marking:

Product code: EPP-BPF - aaa - bbb

type _____
diameter Ød₁ _____
angle _____

Dimensions



Product code	Diameter [mm]	Wall thickness [mm]
EPP-BPF-125-45	125	15
EPP-BPF-150-45	150	15
EPP-BPF-160-45	160	15
EPP-BPF-180-45	180	15

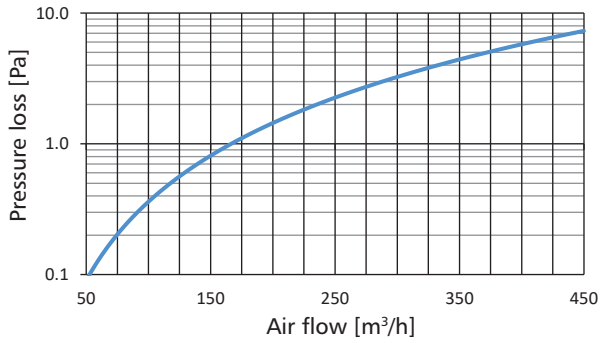
45° Ventilation bend made of EPP

EPP-BPF-45

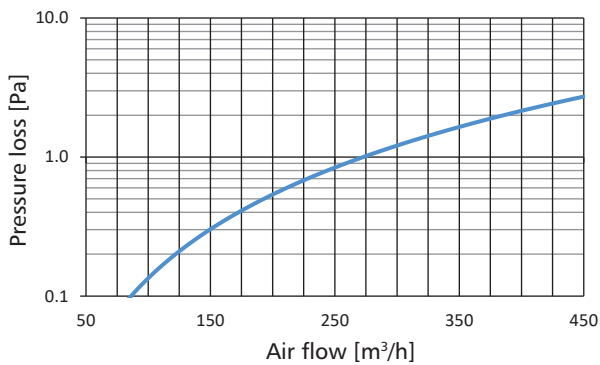
Technical data

Pressure loss chart

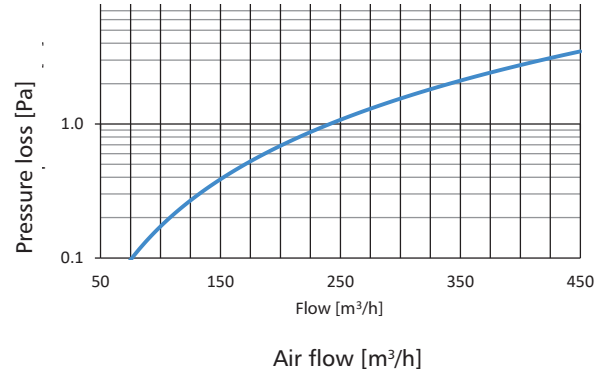
Measurement: **inner diameter: 125mm, angle: 45°**,
temp: 24.8°C, P_{atm} : 1004 mBar, ρ (density): 1.174 kg/m³



Measurement: **inner diameter: 160mm, angle: 45°**,
temp: 28.2°C, P_{atm} : 1015 mBar, ρ (density): 1.173 kg/m³



Measurement: **inner diameter: 150mm, angle: 45°**,
temp: 28.5°C, P_{atm} : 1004 mBar, ρ (density): 1.159 kg/m³



Measurement: **inner diameter: 180mm, angle: 45°**,
temp: 27.8°C, P_{atm} : 1015 mBar, ρ (density): 1.175 kg/m³

