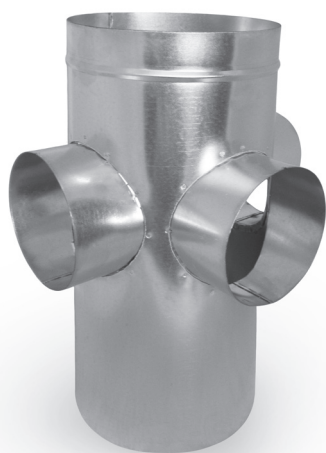


Branch-off T-piece and four-way piece with gasket

COLL/COLL



Description

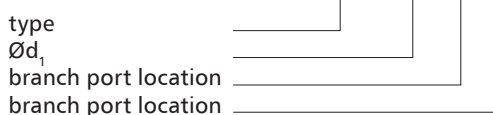
The T-piece divides the main ventilation flow into 125 mm diameter branches. Depending on the type, 1 to 4 branches can be fabricated in any configuration, side by side, or at the opposite ends, etc. Some joint sizes, e.g. 125 mm, allow only 1 or 2 branches at the opposite ends.

Available materials - Product code example

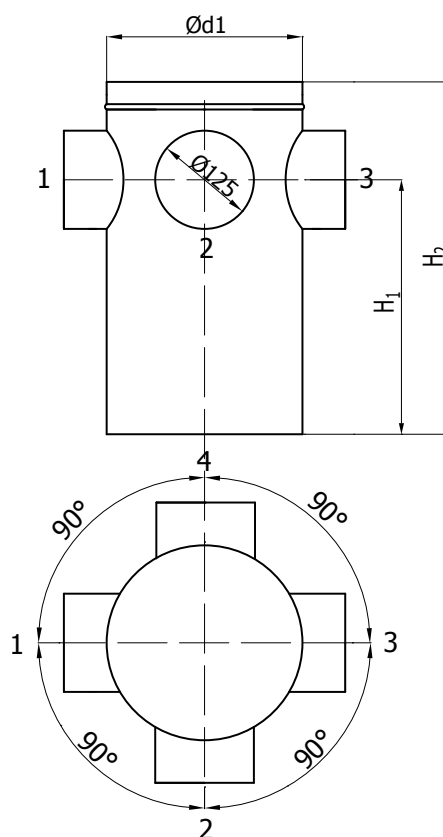
COLL-...-...-... - galvanized steel sheet
 COLL-K-...-...-... - 1.4301/304 stainless steel sheet

Product code example

Product code: **COLL - 160 - 1 - 3**



Dimensions



$\varnothing d_1$ [mm]	H_1 [mm]	H_2 [mm]
160	250	400
200	250	400
250	250	400
315	250	400
355	250	400
400	250	400
450	250	400
500	250	400
560	250	400
630	250	400