

Round silencers

SIBL



Description

The silencers are delivered with the SPIRAL® system seals in the standard version. The diameter sizes $d_1 > 315$ mm require ordering the NSL male couplings which need to be installed in the silencer before connecting the silencer to the ductwork. The male fittings are available separately. They are not delivered with the silencers.

Glass wool thickness inside the silencer:

100 mm for SIBL-100 - depends on the outer cladding size.

Insulation:

Insulation material: glass wool.

Insulation type: trimmed from reel, flexible.

Available materials - Product code examples

SIBL-...-...-... - galvanized steel sheet

SIBL-K-...-...-... - 1.4301/304 stainless steel sheet

SIBL-K-...-...-...-316L - 1.4404/316L stainless steel sheet

SIBL-A-...-...-... - aluminium sheet

SIBL-CU-...-...-... - copper sheet

Product code examples

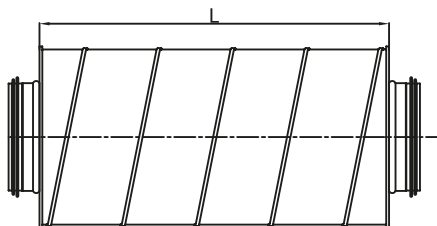
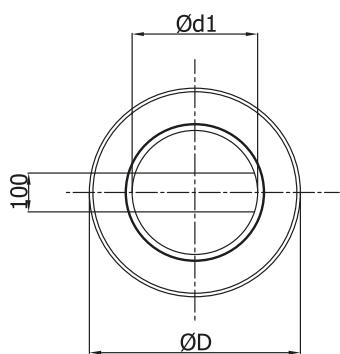
Product code: **SIBL - aaa - bbb**

type _____

$\varnothing d_1$ _____

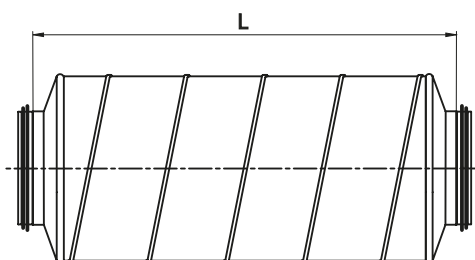
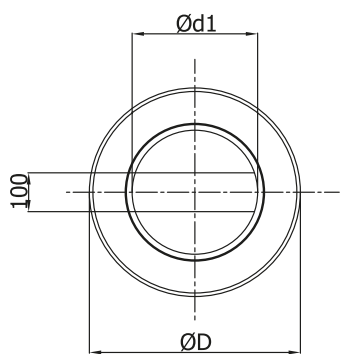
L _____

Dimensions



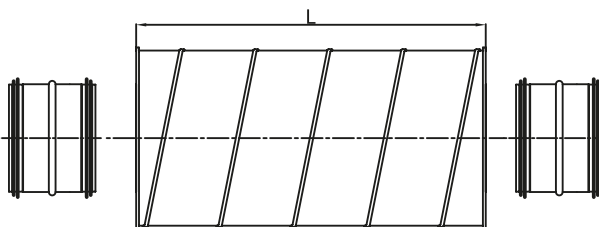
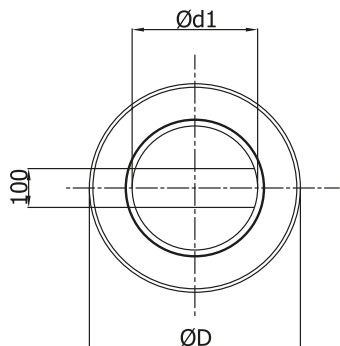
Cross-section for specific types of SIBL and SIBRL, $d_1 \leq 315$ mm.

Not applicable to the diameter sizes: D-100, D-125, D-160, D-200, D-250 with 50 mm thick insulation.



Cross-section of SIBL and SIBRL with 50 mm thick insulation; designed for the diameter sizes: D-100, D-125, D-160, D-200, D-250.

The silencers are fabricated with press-formed covers.



Cross-section for specific types of SIBL and SIBRL, $d_1 > 315$ mm.

The female joint silencer versions for $d_1 < 315$ mm are designated SIBLF and SIBRLF

Round silencers

SIBL

Dimensions

Description	$\varnothing d_1$ [mm]	D_{nom} [mm]	L [mm]	Sound insulation [dB] at frequency [Hz]						Weight [kg]
				125	250	500	1000	2000	4000	
SIBL 315-600	315	500	600	7	15	18	26	34	24	15
315-900	315	500	900	11	18	26	37	40	28	22
315-1200	315	500	1200	15	21	33	41	46	40	29
SIBL 400-600	400	600	600	8	9	16	22	24	19	20
400-900	400	600	900	11	14	22	34	32	23	30
400-1200	400	600	1200	11	21	30	38	43	28	40
SIBL 500-900	500	710	900	8	12	19	27	21	19	40
500-1200	500	710	1200	10	16	26	35	29	22	53
SIBL 630-1200	630	800	1200	8	11	23	38	23	19	62
630-1500	630	800	1500	10	15	23	39	26	20	78
SIBL 800-1200	800	1000	1200	5	9	17	23	21	16	80
800-1500	800	1000	1500	5	12	19	26	23	18	99

Technical specifications

