

High temperature access door for round ducts

IPR-HT



Description

The IPR-HT access door features a ceramic gasket and it is designed for installation on round duct walls. The design of the IPR-HT access door and its gasket profile provide a perfect seal around the duct opening. This ensures a high air tightness class.

The product provides a very simple, low-cost and extremely effective solution for closing and sealing access openings in the ductwork. The openings made in the ductwork for access doors must be sized to meet the requirements of EN 12097.

The access door is installed in the opening made using the cutting template supplied with the product. When the lock knobs are undone, the spacing between the outer and inner covers of the access door expands for the inner cover to enter the ductwork inner diameter. Once the access door has been adjusted to the opening, it is closed by tightening the lock knobs.



The IPR-BIT drill bit makes tightening the knob much easier. Two sizes are available: M8 and M10.

IPR-BIT-M8 for IPR, IPFQ ≤ 300x200

IPR-BIT-M10 for IPFQ ≥ 400x300

The access door gasket provides the highest air tightness class and the required gasket profile.

Available materials — Product code examples

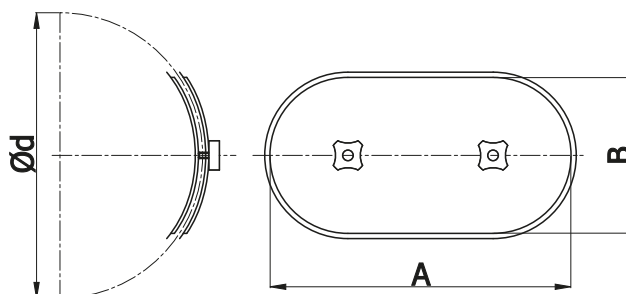
IPR-HT-...- galvanized steel sheet

Product code example

Product code: **IPR-HT - aaa**

type _____
 Ød _____

Dimensions



$\varnothing d_{nom}$ [mm]	A [mm]	B [mm]	Weight [kg]	Diameter range
100	180	80	0.3	96-105
125	180	80	0.3	121-130
150	200	100	0.4	130-155
160	200	100	0.4	156-190
200	200	100	0.4	191-240
250	200	100	0.4	241-300
315	200	100	0.4	301-360
400	300	200	1.0	381-420
500	300	200	1.0	471-530

A and B are the dimensions of the opening to be made in the duct wall.

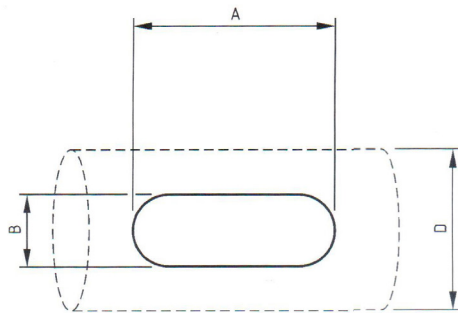
High temperature access door for round ducts

IPR-HT

Technical specifications

Minimum dimensions of the access opening for round ducts in accordance with EN 12097.

Oval or square opening	
Nominal duct diameter (mm) D	Minimum opening dimensions in the duct wall (mm) AxB
100 ≤ D < 200	180x80
200 ≤ D ≤ 315	200x100
315 < D ≤ 500	300x200
500 < D	400x300



Specifications of USZ-CER seals:

The USZ-CER ceramic seals provide temperature resistance up to 1100°C. The backing layer is made from aluminosilicate fiber felt. The adhesive material is based on modified acryl.

Diameter of fibre	3.2 µm
Density	200-300 kg/m ³
Tensile strenght	> 350kPa lub 15.4 N/cm
Maxilam warking temperature	1100°C
Melting point	> 1300°C
Heat conduction	0.09 W/mK

Note!

Always observe the installation requirements, e.g. the access door must not be installed near water pooling surfaces.

Temperature range: 200 °C (steels)
350 °C (periodic)

Air tightness class

The access door gasket provides the highest air tightness class provided that fittings used are equipped with seals.

