

Short segmented bends with gaskets

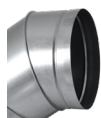
BSKL-90



Description

Segmented bends are designed for spiral ducts. They are made of 4 segments; the bends in diameters of DN 1120 mm and greater are made of 5 segments. The segments are fastened by hemming and seaming. The inside surface of the hemmed seams is sealed, and as a result of the double EPDM gaskets, this solution provides air tightness class D according to EN 12237 for ventilation and heat recuperation systems. The bending radius is ca. 0.6D, which helps installing the ductwork under a suspended ceiling with a limited clearance and reduces the segment bend pricing.

BSKFL-90 bends with a single female end are available on request.



There is also available version with a female end - **BSKFL** code or with two female ends - **BSKFF** code.

Available materials - Product code example

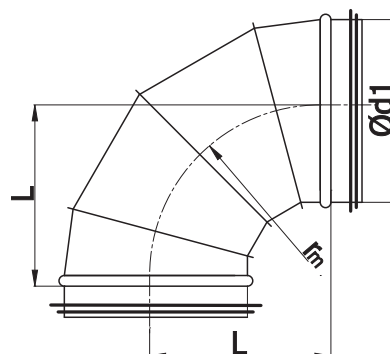
BSKL-... -90 - galvanized steel sheet
 BSKL-K-... -90 - 1.4301/304 stainless steel sheet
 BSKL-K-... -90-316L - 1.4404/316L stainless steel sheet, molybdenum-enriched
 BSKL-A-... -90 - AW-1050A H24 aluminium sheet
 BSKL-CU-... -90 - M1E z4 copper sheet

Product code example

Product code: **BSKL- aaa - 90**

type _____
 Ød₁ _____
 angle _____

Dimensions

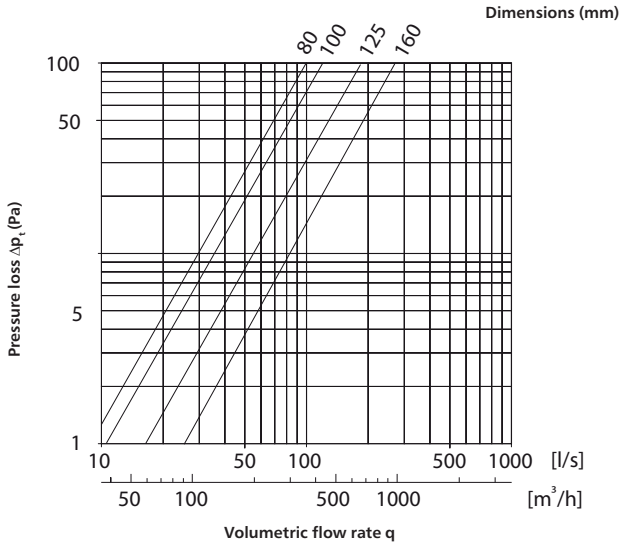


| Ød _{1 nom} (mm) | L (mm) | Weight (kg) |
|-----------------------------|-----------|----------------|
| 200 | 170 | 1.10 |
| 224 | 160 | 1.20 |
| 250 | 220 | 1.40 |
| 280 | 195 | 1.50 |
| 300 | 210 | 1.80 |
| 315 | 250 | 2.00 |
| 355 | 250 | 2.40 |
| 400 | 300 | 3.10 |
| 450 | 320 | 4.10 |
| 500 | 350 | 4.80 |
| 560 | 335 | 7.30 |
| 600 | 360 | 7.50 |
| 630 | 410 | 8.20 |
| 710 | 425 | 10.30 |
| 800 | 480 | 12.80 |
| 900 | 540 | 20.40 |
| 1000 | 600 | 24.90 |
| 1120 | 670 | 31.80 |
| 1250 | 750 | 38.90 |
| 1400 | 840 | 53.60 |
| 1500 | 900 | 62.20 |
| 1600 | 960 | 70.10 |

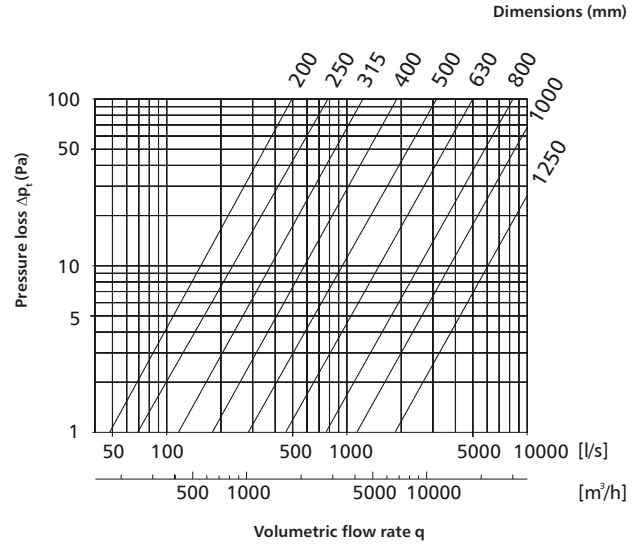
Technical specifications for 90° pressed and segmented bends **BPKL/BPL/BPDL/BSKL/BSL/BSDL**

Technical specifications

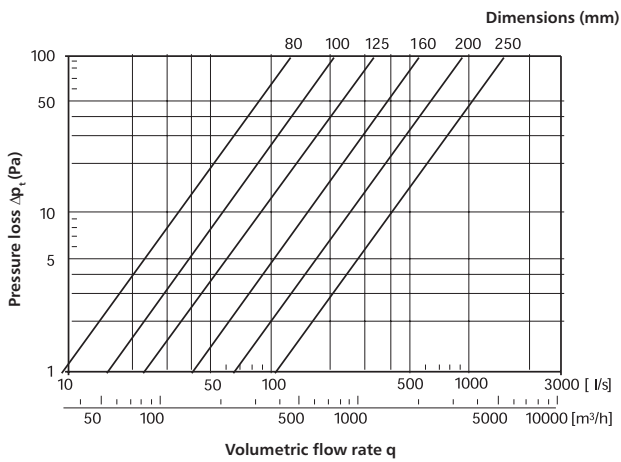
Flow chart for BPKL-90/BPK-90/BPKFL-90/BPKF-90



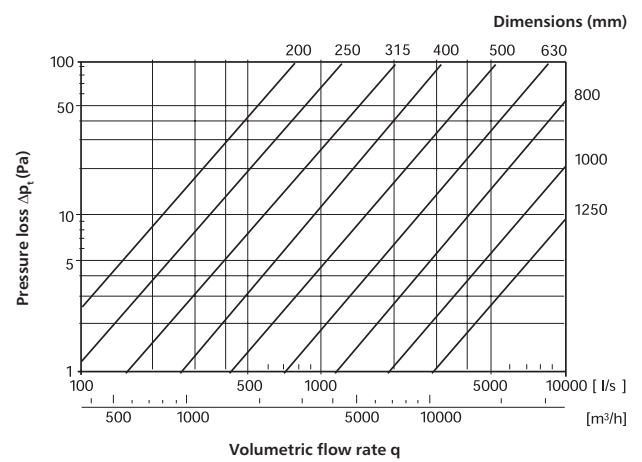
Flow chart for BSKL-90/BSK-90



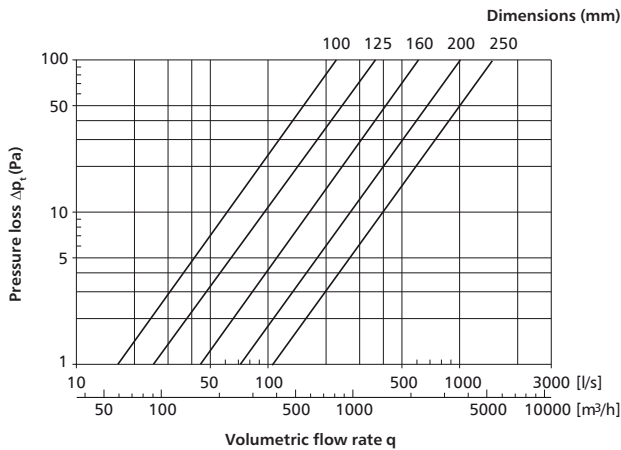
Flow chart for BPL-90/BP-90/BPL-K-90/BP-K-90



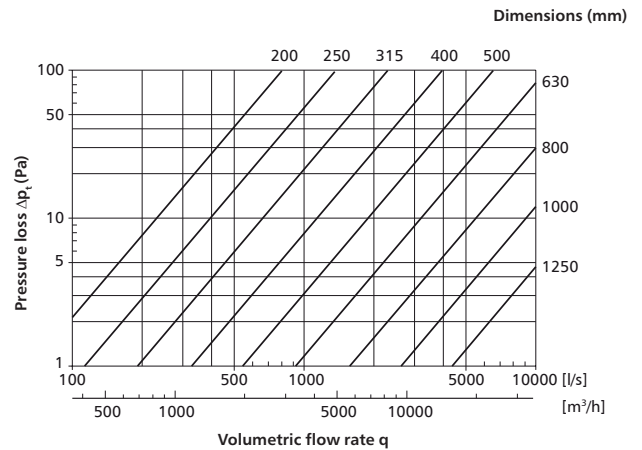
Flow chart for BSL-90/BS-90



Flow chart for BPDL-90/BPD-90



Flow chart for BSDL-90/BS-90



Short segmented bends with gaskets

BSKL-60



Description

Segmented bends are designed for building ventilation systems based on SPIRAL ducts and plain ducts. The inside surface of the hemmed seams is sealed, and as a result of the double EPDM gaskets, this solution provides air tightness class D according to EN 12237 for ventilation and recuperation systems. The piece is connected with a duct by inserting one into the other. The bending radius has been reduced to 0.6D which helps installing the ductwork under a suspended ceiling with a limited clearance and reduces the segment bend pricing.



There is also available version with a female end - **BSKFL** code or with two female ends - **BSKFF** code

Available materials - Product code example

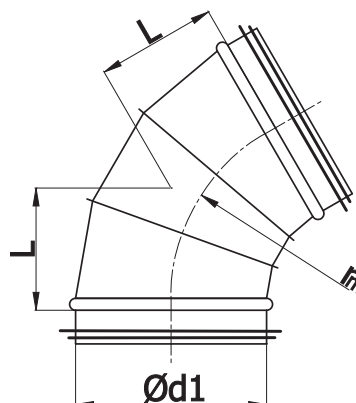
- BSKL-... -60 - galvanized steel sheet
- BSKL-K-... -60 - 1.4301/304 stainless steel sheet
- BSKL-K-... -60-316L - 1.4404/316L stainless steel sheet, molybdenum-enriched
- BSKL-A-... -60 - AW-1050A H24 aluminium sheet
- BSKL-CU-...-60 - M1E z4 copper sheet

Product code example

Product code: **BSKL- aaa - 60**

| | | | | |
|-----------------|--|--|--|--|
| type | | | | |
| Ød ₁ | | | | |
| angle | | | | |

Dimensions



$$r_m \approx 0.6 \times d_1$$

| Ød _{1 nom} (mm) | L (mm) | Weight (kg) |
|-----------------------------|-----------|----------------|
| 200 | 70 | 0.50 |
| 224 | 78 | 0.60 |
| 250 | 95 | 0.80 |
| 280 | 115 | 1.00 |
| 300 | 125 | 1.20 |
| 315 | 130 | 1.30 |
| 355 | 125 | 1.50 |
| 400 | 165 | 2.30 |
| 450 | 160 | 3.30 |
| 500 | 175 | 3.90 |
| 560 | 195 | 4.70 |
| 600 | 210 | 6.20 |
| 630 | 220 | 6.70 |
| 710 | 250 | 8.70 |
| 800 | 280 | 13.60 |
| 900 | 315 | 16.60 |
| 1000 | 350 | 20.70 |
| 1120 | 390 | 25.30 |
| 1250 | 435 | 31.20 |
| 1400 | 485 | 42.20 |
| 1500 | 520 | 47.60 |
| 1600 | 555 | 53.40 |

Short segmented bends with gaskets

BSKL-45



Description

Segmented bends are designed for spiral ducts. The inside surface of the hemmed seams is sealed, and as a result of the double EPDM gaskets, this solution provides air tightness class D according to EN 12237 for ventilation and heat recuperation systems. The bending radius is ca. 0.6D, which helps installing the ductwork under a suspended ceiling with a limited clearance and reduces the segment bend pricing. Bends with a single female end are available on request.



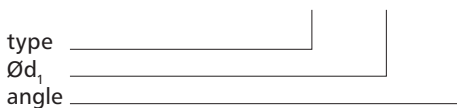
There is also available version with a female end - **BSKFL** code
or with two female ends - **BSKFF** code

Available materials - Product code example

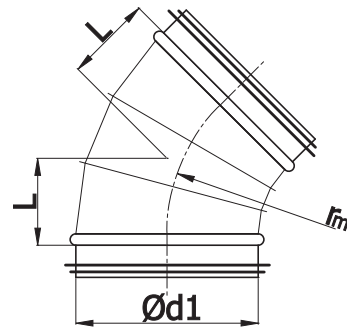
- BSKL-... -45 - galvanized steel sheet
- BSKL-K-... -45 - 1.4301/304 stainless steel sheet
- BSKL-K-... -45-316L - 1.4404/316L stainless steel sheet, molybdenum-enriched
- BSKL-... -45-ALU - AW-1050A H24 aluminium sheet
- BSKL-... -45-CU - M1E z4 copper sheet

Product code example

Product code: **BSKL - aaa - 45**



Dimensions



$$r_m \approx 0.6 \times d_1$$

| $\varnothing d_{1 \text{ nom}}$ (mm) | L (mm) | Weight (kg) |
|---|-----------|----------------|
| 200 | 60 | 0.50 |
| 224 | 60 | 0.55 |
| 250 | 65 | 0.70 |
| 280 | 70 | 0.90 |
| 300 | 80 | 1.00 |
| 315 | 85 | 1.00 |
| 355 | 95 | 1.20 |
| 400 | 145 | 1.50 |
| 450 | 158 | 2.20 |
| 500 | 170 | 2.60 |
| 560 | 190 | 3.20 |
| 600 | 200 | 4.20 |
| 630 | 207 | 4.60 |
| 710 | 245 | 5.70 |
| 800 | 265 | 7.00 |
| 900 | 290 | 11.10 |
| 1000 | 330 | 13.40 |
| 1120 | 395 | 16.80 |
| 1250 | 430 | 20.40 |
| 1400 | 455 | 28.00 |
| 1500 | 480 | 31.70 |
| 1600 | 500 | 35.80 |

Short bends with gaskets

BSKL-30



Description

Segmented bends are designed for building ventilation systems based on SPIRAL ducts made of galvanized steel sheet, stainless steel sheet or aluminium sheet. The inside surface of the hemmed seams is sealed, and as a result of the double EPDM gaskets, this solution provides air tightness class D according to EN 12237 for ventilation and recuperation systems. The piece is connected with a duct by inserting one into the other. The bending radius has been reduced to 0.6D which helps installing the ductwork under a suspended ceiling with a limited clearance and reduces the segmented bend pricing.



There is also available version with a female end - **BSF** code or with two female ends - **BSFF** code.

Available materials - Product code example

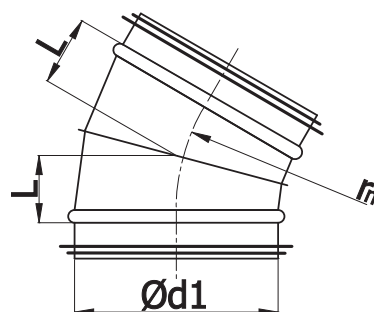
- BSKL-... -30 - galvanized steel sheet
- BSKL-K-... -30 - 1.4301/304 stainless steel sheet
- BSKL-K-... -30-316L - 1.4404/316L stainless steel sheet, molybdenum-enriched
- BSKL-A-... -30 - AW-1050A H24 aluminium sheet
- BSKL-CU-... -30 - M1E z4 copper sheet

Product code example

Product code: **BSKL- aaa - 30**

type _____
 $\varnothing d_1$ _____
 angle _____

Dimensions



$$r_m \approx 0.6 \times d_1$$

| $\varnothing d_{1 \text{ nom}}$ (mm) | L (mm) | Weight (kg) |
|---|-----------|----------------|
| 200 | 35 | 0.35 |
| 224 | 40 | 0.40 |
| 250 | 45 | 0.50 |
| 280 | 45 | 0.70 |
| 300 | 50 | 0.70 |
| 315 | 55 | 0.80 |
| 355 | 60 | 1.00 |
| 400 | 85 | 1.50 |
| 450 | 75 | 2.20 |
| 500 | 85 | 2.50 |
| 560 | 90 | 3.00 |
| 600 | 100 | 3.90 |
| 630 | 105 | 4.20 |
| 710 | 115 | 5.60 |
| 800 | 130 | 6.70 |
| 900 | 145 | 10.30 |
| 1000 | 165 | 12.90 |
| 1120 | 180 | 15.50 |
| 1250 | 205 | 20.60 |
| 1400 | 225 | 25.60 |
| 1500 | 245 | 28.60 |
| 1600 | 260 | 30.90 |

Short segmented bends with gaskets

BSKL-15



Description

Segmented bends are designed for building ventilation systems based on SPIRAL ducts made of galvanized steel sheet, stainless steel sheet or aluminium sheet. The inside surface of the hemmed seams is sealed, and as a result of the double EPDM gaskets, this solution provides air tightness class D according to EN 12237 for ventilation and recuperation systems. The piece is connected with a duct by inserting one into the other. The bending radius has been reduced to 0.6D which helps installing the ductwork under a suspended ceiling with a limited clearance and reduces the segment bend pricing.



There is also available version with a female end - **BSKFL** code or with two female ends - **BSFF** code.

Available materials - Product code example

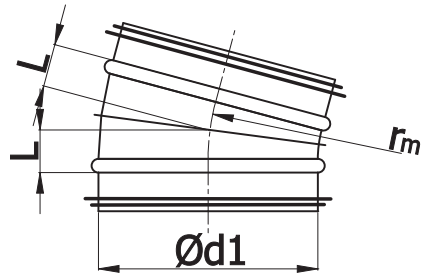
- BSKL-... -15 - galvanized steel sheet
- BSKL-K-... -15 - 1.4301/304 stainless steel sheet
- BSKL-K-... -15-316L - 1.4404/316L stainless steel sheet, molybdenum-enriched
- BSKL-A-... -15 - AW-1050A H24 aluminium sheet
- BSKL-CU-... -15 - M1E z4 copper sheet

Product code example

Product code: **BSKL- aaa - 30**

type _____
 Ød₁ _____
 angle _____

Dimensions



$$r_m \approx 0.6 \times d_1$$

| Ød _{1 nom} (mm) | L (mm) | Weight (kg) |
|-----------------------------|-----------|----------------|
| 200 | 20 | 0.25 |
| 224 | 20 | 0.30 |
| 250 | 20 | 0.40 |
| 280 | 25 | 0.50 |
| 300 | 25 | 0.60 |
| 315 | 25 | 0.60 |
| 355 | 30 | 0.70 |
| 400 | 55 | 1.20 |
| 450 | 40 | 1.70 |
| 500 | 40 | 1.90 |
| 560 | 45 | 2.30 |
| 600 | 45 | 2.90 |
| 630 | 50 | 3.10 |
| 710 | 60 | 4.20 |
| 800 | 65 | 4.90 |
| 900 | 75 | 7.40 |
| 1000 | 80 | 9.20 |
| 1120 | 90 | 11.00 |
| 1250 | 100 | 12.80 |
| 1400 | 115 | 16.80 |
| 1500 | 120 | 18.60 |
| 1600 | 130 | 20.50 |