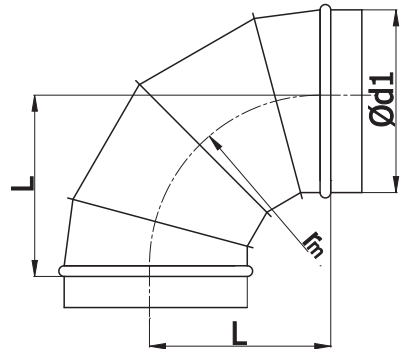


Segmented bends BSK-90



Dimensions



Description

Segmented bends are designed for SPIRAL ducts and plain ducts. They are made of 4 segments; the bends in diameters of DN 1120 mm and greater are made of 5 segments. The segments are fastened by hemming and seaming. Bend sizes of 1.5D or 2D are available by adding segments to reduce the pressure loss and the flow resistance along the ventilation system. The piece is connected with a duct by inserting one into the other. The pieces can be made of 1.4404 stainless steel sheet for ventilation systems in swimming pools.



There is also available version with a female end - **BSKF** code
or with two female ends - **BSKFF** code

Available materials - Product code example

BSK-... -90 - galvanized steel sheet
 BSK-K-... -90 - 1.4301/304 stainless steel sheet
 BSK-K-... -90-316L - 1.4404/316L stainless steel sheet, molybdenum-enriched
 BSK-A-... -90 - AW-1050A H24 aluminium sheet
 BSK-CU-... -90 - M1E z4 copper sheet

Product code example

Product code: **BSK - aaa - 90**

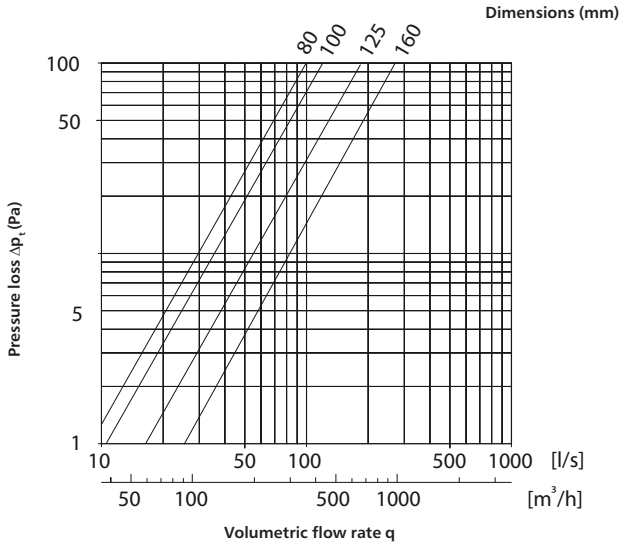
type _____
 Ød₁ _____
 angle _____

Ød _{1 nom} (mm)	L (mm)	Weight (kg)
200	170	1.10
224	160	1.20
250	220	1.40
280	195	1.50
300	210	1.80
315	250	2.00
355	250	2.40
400	300	3.10
450	295	4.10
500	320	4.80
560	335	7.30
600	360	7.50
630	410	8.20
710	425	10.30
800	480	12.80
900	540	20.40
1000	600	24.90
1120	670	31.80
1250	750	38.90
1400	840	53.60
1500	900	62.20
1600	960	70.10

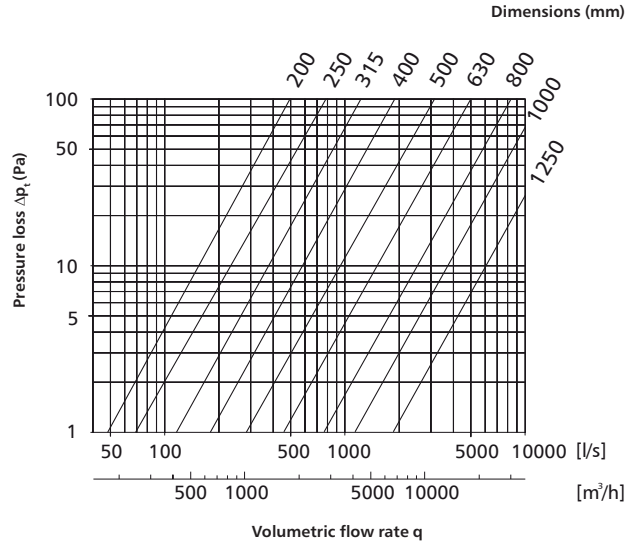
Technical specifications for 90° pressed and segmented bends **BPKL/BPL/BPDL/BSKL/BSL/BSDL**

Technical specifications

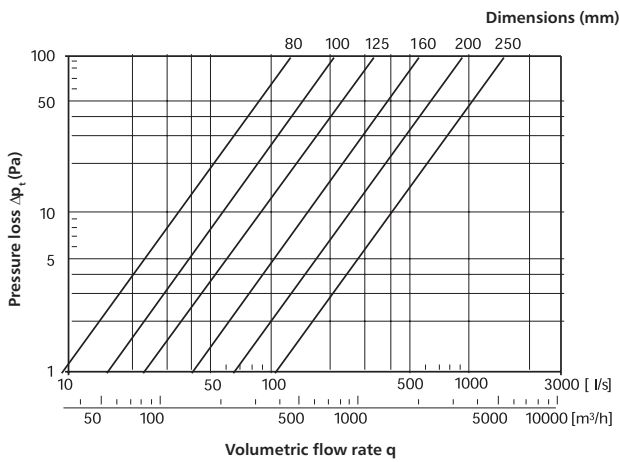
Flow chart for BPKL-90/BPK-90/BPKFL-90/BPKF-90



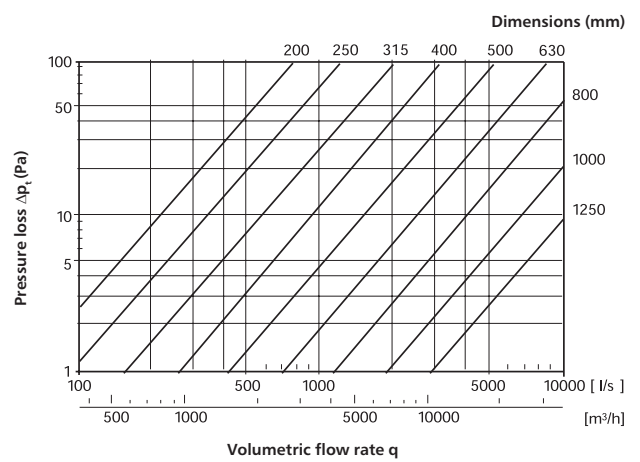
Flow chart for BSKL-90/BSK-90



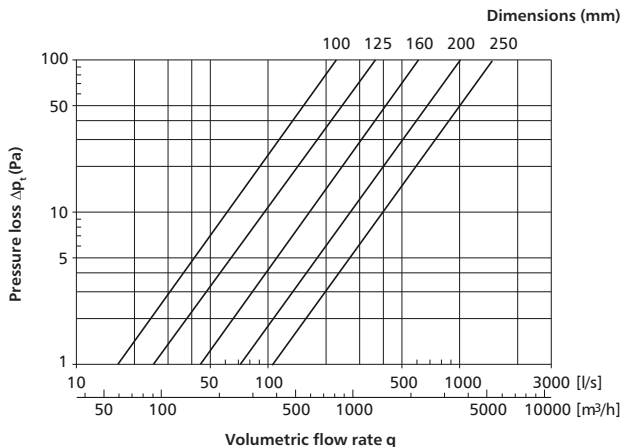
Flow chart for BPL-90/BP-90/BPL-K-90/BP-K-90



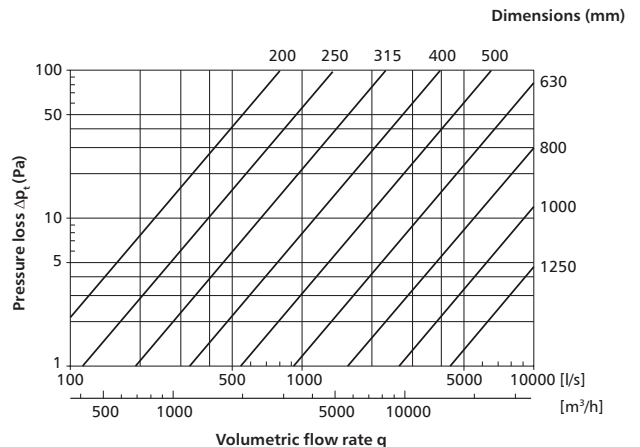
Flow chart for BSL-90/BS-90



Flow chart for BPDL-90/BPD-90



Flow chart for BSDL-90/BS-90



Short segmented bends

BSK-60



Description

Segmented bends are designed for building ventilation systems based on spiral and plain ducts. The segments are fastened by hemming and seaming to form stable joints. The hemmed seams can be sealed from the inside on request. The piece is connected with a duct by inserting one into the other. The bending radius has been reduced to 0.6D which helps installing the ductwork under a suspended ceiling with a limited clearance and reduces the segment bend pricing.



There is also available version with a female end - **BSKF** code
or with two female ends - **BSKFF** code

Available materials - Product code example

- BSK-... -60 - galvanized steel sheet
- BSK-K-... -60 - 1.4301/304 stainless steel sheet
- BSK-K-... -60-316L - 1.4404/316L stainless steel sheet, molybdenum-enriched
- BSK-A-... -60 - AW-1050A H24 aluminium sheet
- BSK-CU-... -60 - M1E z4 copper sheet

Product code example

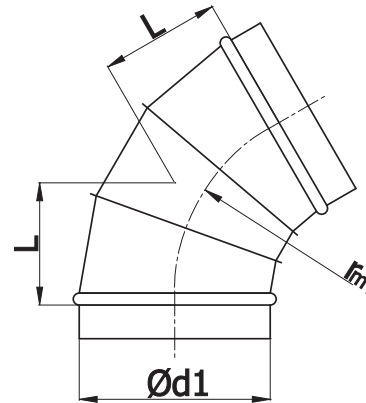
Product code: **BSK - aaa - 60**

type _____

Ød₁ _____

angle _____

Dimensions



$$r_m \approx 0.6 \times d_1$$

Ød _{1 nom} (mm)	L (mm)	Weight (kg)
200	70	0.50
224	78	0.60
250	95	0.80
280	115	1.00
300	125	1.20
315	130	1.30
355	125	1.50
400	165	2.30
450	160	3.30
500	175	3.90
560	195	4.70
600	210	6.20
630	220	6.70
710	250	8.70
800	280	13.60
900	315	16.60
1000	350	20.70
1120	390	25.30
1250	435	31.20
1400	485	42.20
1500	520	47.60
1600	555	53.40

Short segmented bends

BSK-45



Description

Segmented bends are designed for SPIRAL ducts and plain ducts. They are made of 4 segments; the bends in diameters of DN 1120 mm and greater are made of 5 segments. The segments are fastened by hemming and seaming. Bend sizes of 1.5D or 2D are available by adding segments to reduce the pressure loss and the flow resistance along the ventilation system. The piece is connected with a duct by inserting one into the other. The pieces can be made of 1.4301 stainless steel sheet for ventilation systems in swimming pools.



There is also available version with a female end - **BSKF** code or with two female ends - **BSKFF** code.

Available materials - Product code example

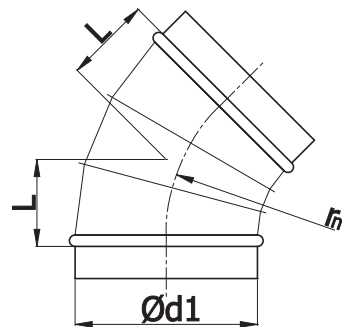
- BSK-... -45 - galvanized steel sheet
- BSK-K-... -45 - 1.4301/304 stainless steel sheet
- BSK-K-... -45-316L - 1.4404/316L stainless steel sheet, molybdenum-enriched
- BSK-A-... -45 - AW-1050A H24 aluminium sheet
- BSK-CU-... -45 - M1E z4 copper sheet

Product code example

Product code: **BSK - aaa - 45**

type			
Ød ₁			
angle			

Dimensions



$$r_m \approx 0.6 \times d_1$$

Ød _{1 nom} (mm)	L (mm)	Weight (kg)
200	60	0.50
224	60	0.55
250	65	0.70
280	70	0.90
300	80	1.00
315	85	1.00
355	95	1.20
400	145	1.50
450	158	2.20
500	170	2.60
560	190	3.20
600	200	4.20
630	207	4.60
710	245	5.70
800	265	7.00
900	290	11.10
1000	330	13.40
1120	395	16.80
1250	430	20.40
1400	455	28.00
1500	480	31.70
1600	500	35.80

Short bends BSK-30



Description

Segmented bends without a gasket are designed for building ventilation systems based on spiral and plain ducts. The segments are fastened by hemming and seaming to form stable joints. The hemmed seams can be sealed from the inside on request. The piece is connected with a duct by inserting one into the other. The bending radius has been reduced to 0.6D which helps installing the ductwork under a suspended ceiling with a limited clearance and reduces the segment bend pricing.



There is also available version with a female end - **BSKF** code or with two female ends - **BSKFF** code.

Available materials - Product code example

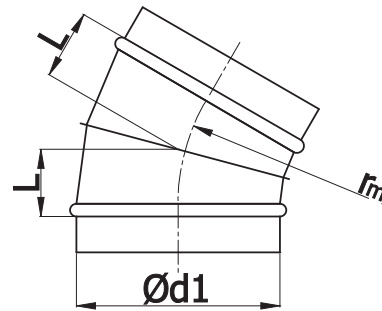
- BSK-... -30 - galvanized steel sheet
- BSK-K-... -30 - 1.4301/304 stainless steel sheet
- BSK-K-... -30-316L - 1.4404/316L stainless steel sheet, molybdenum-enriched
- BSK-A-... -30 - AW-1050A H24 aluminium sheet
- BSK-CU-... -30 - M1E z4 copper sheet

Product code example

Product code: **BSK - aaa- 30**

type _____
 $\varnothing d_1$ _____
 angle _____

Dimensions



$$r_m \approx 0.6 \times d_1$$

$\varnothing d_{1 \text{ nom}}$ (mm)	L (mm)	Weight (kg)
200	35	0.35
224	40	0.40
250	45	0.50
280	45	0.70
300	50	0.70
315	55	0.80
355	60	1.00
400	85	1.50
450	75	2.20
500	85	2.50
560	90	3.00
600	100	3.90
630	105	4.20
710	115	5.60
800	130	6.70
900	145	10.30
1000	165	12.90
1120	180	15.50
1250	205	20.60
1400	225	25.60
1500	245	28.60
1600	260	30.90

Short bends

BSK-15



Description

Segmented bends without a gasket are designed for building ventilation systems based on spiral and plain ducts. The segments are fastened by hemming and seaming to form stable joints. The hemmed seams can be sealed from the inside on request. The piece is connected with a duct by inserting one into the other. The bending radius has been reduced to 0.6D which helps installing the ductwork under a suspended ceiling with a limited clearance and reduces the segment bend pricing.



There is also available version with a female end - **BSKF** code or with two female ends - **BSFF** code.

Available materials - Product code example

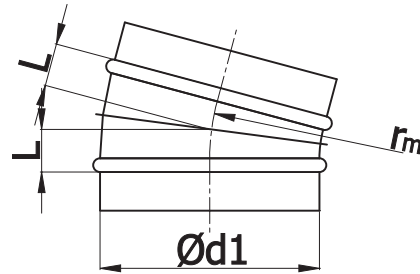
- BSK-... -15 - galvanized steel sheet
- BSK-K-... -15 - 1.4301/304 stainless steel sheet
- BSK-K-... -15-316L - 1.4404/316L stainless steel sheet, molybdenum-enriched
- BSK-A-... -15 - AW-1050A H24 aluminium sheet
- BSK-CU-... -15 - M1E z4 copper sheet

Product code example

Product code: **BSK - aaa- 15**

type _____
 Ød₁ _____
 angle _____

Dimensions



$$r_m \approx 0.6 \times d_1$$

Ød _{1 nom} (mm)	L (mm)	Weight (kg)
200	20	0.25
224	20	0.30
250	20	0.40
280	25	0.50
300	25	0.60
315	25	0.60
355	30	0.70
400	55	1.20
450	40	1.70
500	40	1.90
560	45	2.30
600	45	2.90
630	50	3.10
710	60	4.20
800	65	4.90
900	75	7.40
1000	80	9.20
1120	90	11.00
1250	100	12.80
1400	115	16.80
1500	120	18.60
1600	130	20.50