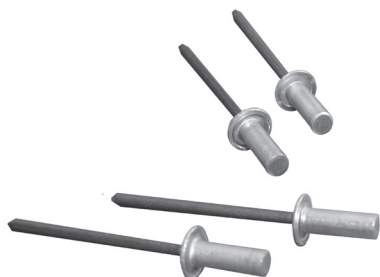


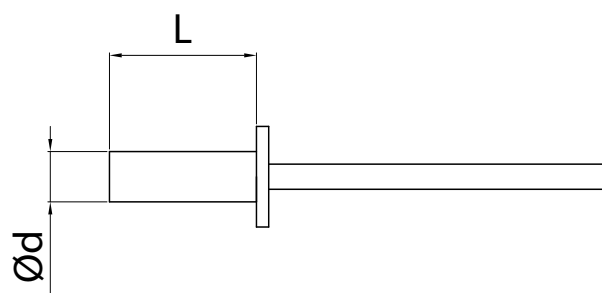
Blind rivets

NIT-S/NIT-S-K

[Download Wentyle](#)
[Download AlnorCAM](#)
[Buy via B2B](#)



Dimensions



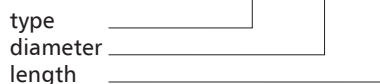
Description

Rivets tight NIT-S and NIT-SK is used to connect all components of ventilation where airtightness is required. The combination of rivets tight seal does not lower class.

NIT-S - aluminum-steel rivet
 NIT-S-K - stainless steel rivet
 The package includes a 1000p.

Example identification

Product code: NIT-S - 3,2 - 06



Example of use:

| <i>combined elements</i> | <i>rivets [d/L]</i> |
|--------------------------|---------------------|
| duct, profile | 3,2-8,0 4,0-10,0 |
| Spiro elements | 3,2-8,0 4,0-10,0 |
| suspensions | 4,0-8,0 4,0-10,0 |

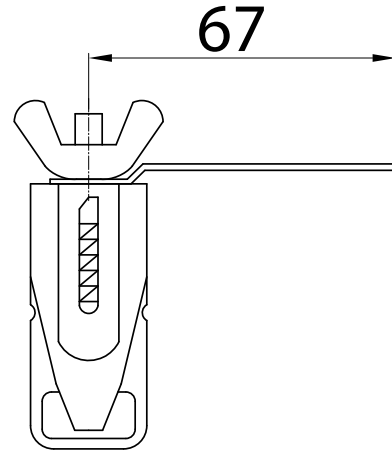
Damper Mechanisms

KIT-DS-JDS

[Download Wentyle](#)
[Download AlnorCAM](#)
[Buy via B2B](#)



Dimensions



Description

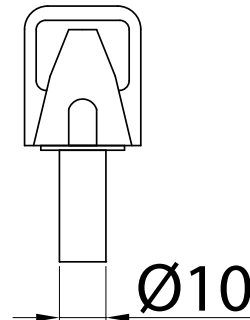
KIT-DS-JDS damper mechanism is made of galvanised sheet metal. It can be used with ventilation damper size from 80 to 400mm.

KIT-DS-JDS damper mechanism is very easily mounted to the ventiation damper with special fold.

Example identification

Product code: **KIT-DS-JDS**

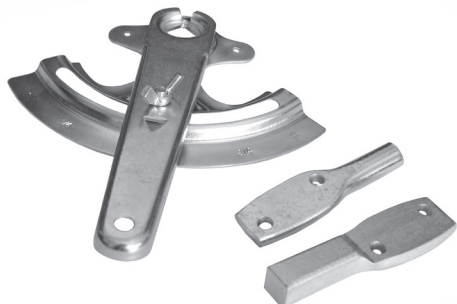
type _____



Damper Mechanism for rectangular damper

KIT-DS-SQ12

[Download Wentyle](#)
[Download AlnorCAM](#)
[Buy via B2B](#)



Description

Damper mechanism KIT-DS-SQ12 is made of galvanised sheet metal. It is used for ventilation rectangular single-blade damper

It is characterized by ease of assembly and disassembly of the housing, the scale makes it easy to check the extent to which the damper is open or closed.

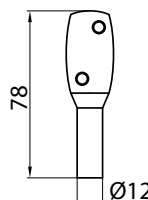
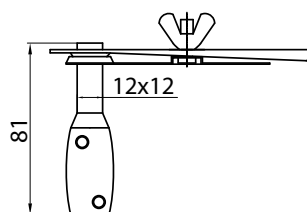
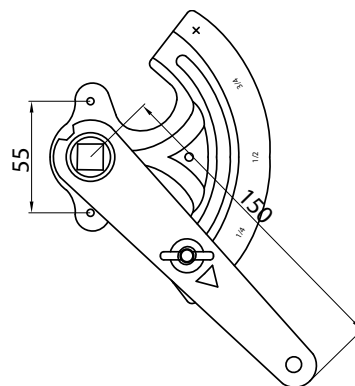
Parts of central - rods are mounted to the plane with screws WGO.

Example identification

Product code: **KIT-DS-SQ12**

type _____

Dimensions





Description

The OCSP zinc-aluminium spray is designed for a long lasting protection and repair of steel surfaces. It is perfectly adhesive to metals, resistant to water, salt and atmospheric conditions action, as well as high temperature and abrasion. Ideally suited for securing roofing instance, or fusion point, line, etc.

Technical data:

capacity: 500ml

color: silver

auto-ignition temperature: > 370°C

density at 20°C: 0,89 - 1,01 g/cm³

Note: Pressurized container protect from sunlight and temperatures above 50 ° C.

Example identification

Product code: OCSP

type

