

Manifold for FLX-REKU system

FLX-PLO-EPP-R

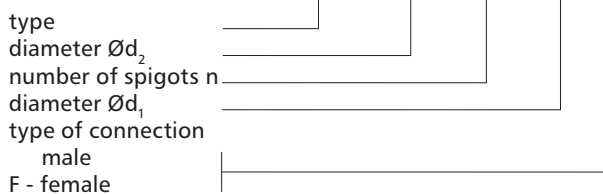


Description

FLX-PLO-EPP-R manifolds are intended for use in domestic mechanical ventilation systems. These manifolds connect semi-rigid ducting with a 75mm diameter, which is then distributed to the rooms. A typical MVHR installation will have 1 to 2 such manifolds on the supply air duct and similarly on the extract air duct. Manifolds are constructed using expanded polypropylene (EPP), which also has an insulating property. Additional advantages of EPP include its lightweight with a strong stiffness at the same time, good acoustical properties, and corrosion resistance.

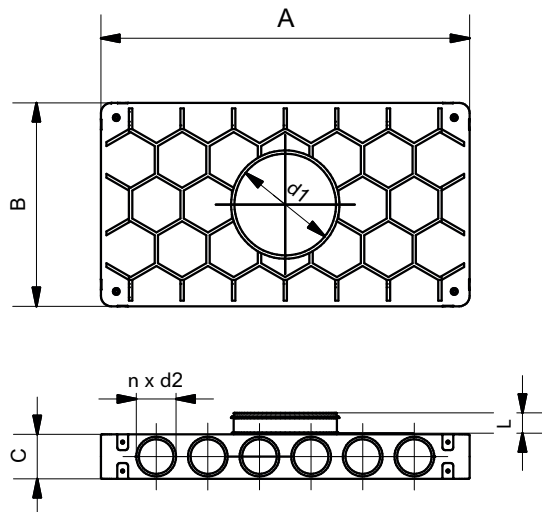
Product code example

Product code: **FLX-PLO-EPP-R - 75 - 3-6-3-0 - 160 -**



Dimensions

An example of a technical drawing of FLX-PLO-EPP-R-75-3-6-3-6-d1 distribution box



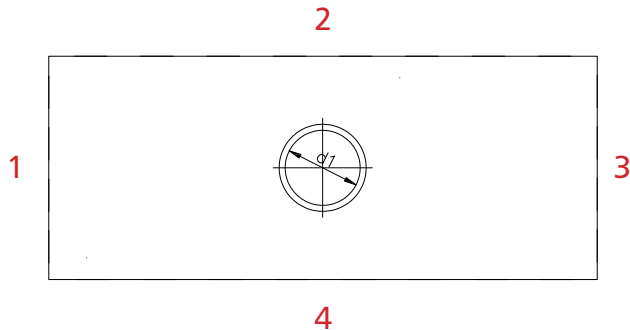
Product code	A [mm]	B [mm]	C [mm]	L [mm]	d_1 [mm]	n [pcs.]	d_2 [mm]
FLX-PLO-EPP-R-75-2-4-2-4-d1	514	320	86	36	125-160	12	63
FLX-PLO-EPP-R-75-2-4-2-0-d1	514	320	86	36	125-160	8	63
FLX-PLO-EPP-R-75-0-4-0-4-d1	514	320	86	36	125-160	8	63
FLX-PLO-EPP-R-75-0-4-0-0-d1	514	320	86	36	125-160	4	63
FLX-PLO-EPP-R-75-2-4-0-0-d1	514	320	86	36	125-160	6	63
FLX-PLO-EPP-R-75-0-3-0-3-d1	514	320	86	36	125-160	6	63
FLX-PLO-EPP-R-75-2-2-2-2-d1	514	320	86	36	125-160	8	63
FLX-PLO-EPP-R-75-2-2-2-0-d1	514	320	86	36	125-160	6	63
FLX-PLO-EPP-R-75-3-6-3-6-d1	714	394	86	36	125-200	18	63
FLX-PLO-EPP-R-75-3-6-3-0-d1	714	394	86	36	125-200	12	63
FLX-PLO-EPP-R-75-3-5-3-5-d1	714	394	86	36	125-200	16	63
FLX-PLO-EPP-R-75-0-6-0-6-d1	714	394	86	36	125-200	12	63
FLX-PLO-EPP-R-75-0-5-0-5-d1	714	394	86	36	125-200	10	63
FLX-PLO-EPP-R-75-2-0-0-6-d1	714	394	86	36	125-200	8	63
FLX-PLO-EPP-R-75-2-5-2-5-d1	714	394	86	36	125-200	14	63
FLX-PLO-EPP-R-75-3-6-0-0-d1	714	394	86	36	125-200	9	63
FLX-PLO-EPP-R-75-0-6-0-0-d1	714	394	86	36	125-200	6	63
FLX-PLO-EPP-R-75-2-6-0-0-d1	714	394	86	36	125-200	8	63

Manifold for FLX-REKU system

FLX-PLO-EPP-R

How to order

Product code: FLX-PLO-EPP-R- $\varnothing d_2$ -1-2-3-4- $\varnothing d_1$



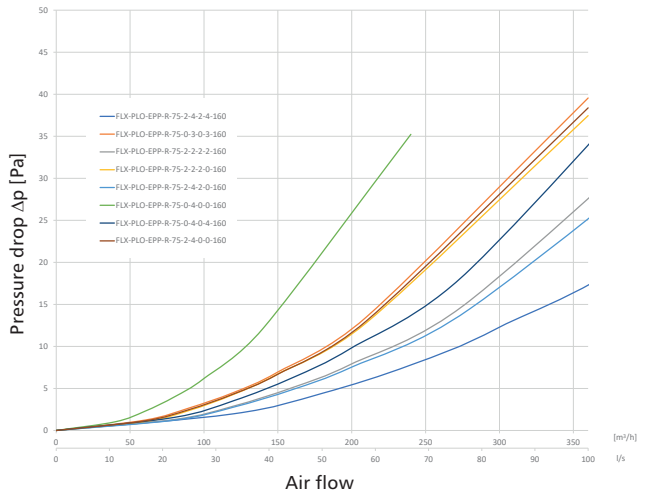
where:
 type FLX-PLO-EPP-R
 $\varnothing d_2$ FLX-HDPE-75 duct spigot diameter
 1-2-3-4 number and configuration of connection spigots
 $\varnothing d_1$ 125-160 or 125-200 mm SPIRAL duct diameter
 F female connection / no symbol = male connection

Choose distribution box according to number of spigots:

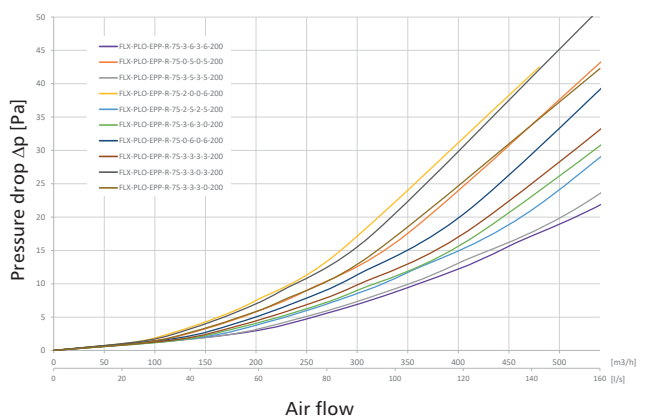
FLX-HDPE \varnothing [mm]	No. of FLX duct connection spigots n [pcs.]	Product code of distribution box
75	4	FLX-PLO-EPP-R-75-0-4-0-0-d1
		FLX-PLO-EPP-R-75-2-4-0-0-d1
	6	FLX-PLO-EPP-R-75-0-3-0-3-d1
		FLX-PLO-EPP-R-75-2-2-2-0-d1
	8	FLX-PLO-EPP-R-75-2-4-2-0-d1
		FLX-PLO-EPP-R-75-0-4-0-4-d1
		FLX-PLO-EPP-R-75-2-2-2-2-d1
		FLX-PLO-EPP-R-75-2-0-0-6-d1
	9	FLX-PLO-EPP-R-75-2-6-0-0-d1
		FLX-PLO-EPP-R-75-3-6-0-0-d1
	10	FLX-PLO-EPP-R-75-0-5-0-5-d1
		FLX-PLO-EPP-R-75-2-4-2-4-d1
	12	FLX-PLO-EPP-R-75-3-6-3-0-d1
		FLX-PLO-EPP-R-75-0-6-0-6-d1
	14	FLX-PLO-EPP-R-75-2-5-2-5-d1
		FLX-PLO-EPP-R-75-3-5-3-5-d1
	16	FLX-PLO-EPP-R-75-3-5-3-5-d1
		FLX-PLO-EPP-R-75-3-6-3-6-d1
18	FLX-PLO-EPP-R-75-3-6-3-6-d1	
	FLX-PLO-EPP-R-75-3-6-3-6-d1	

Types of plenum boxes

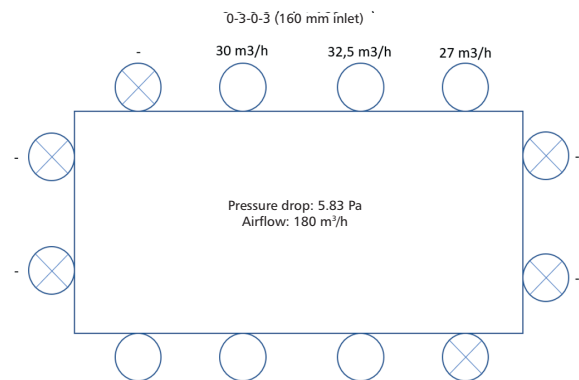
Pressure drop chart (supply air) for manifolds up to 12 spigots



Pressure drop chart (supply air) for manifolds up to 18 spigots

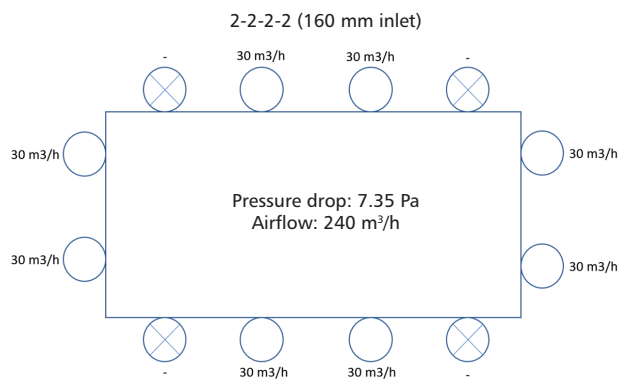
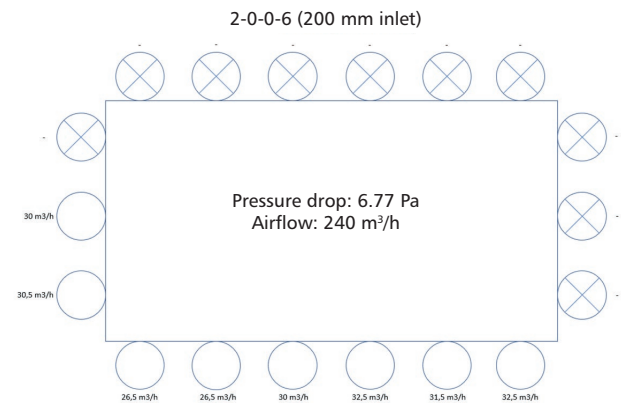
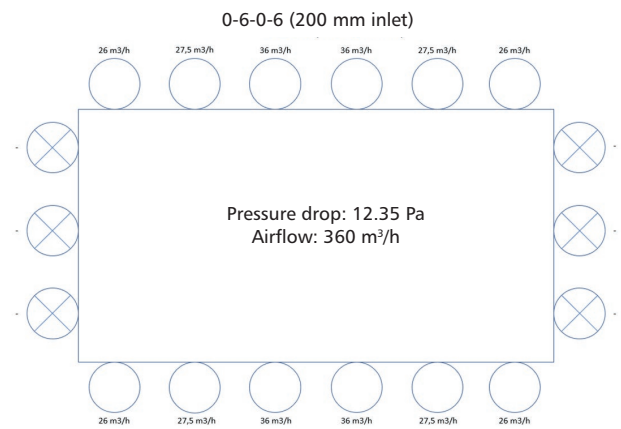
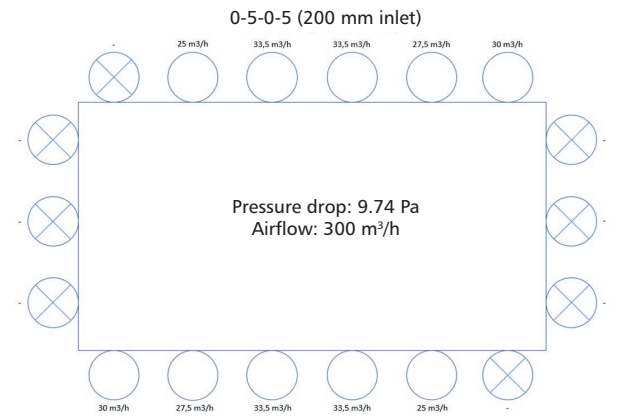
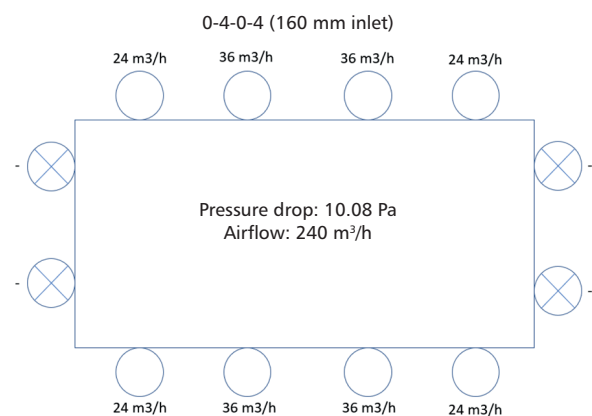
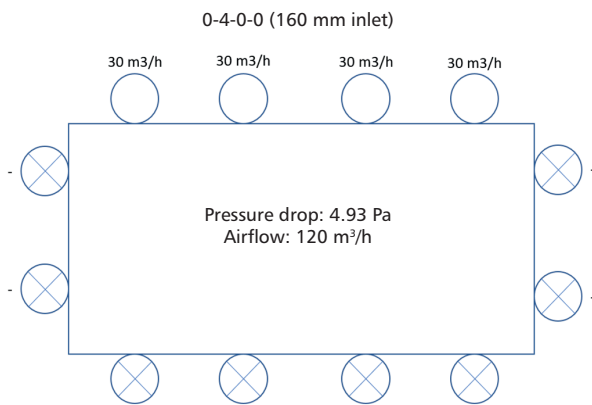
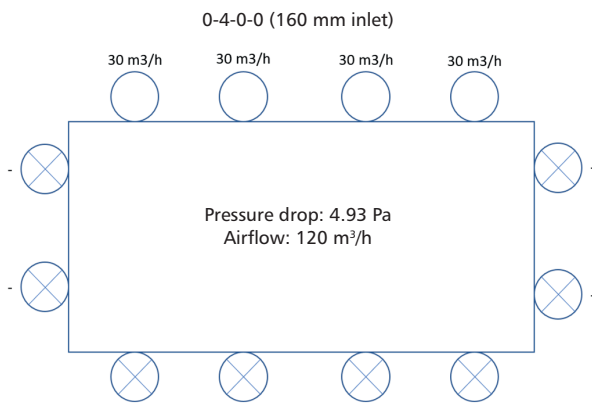
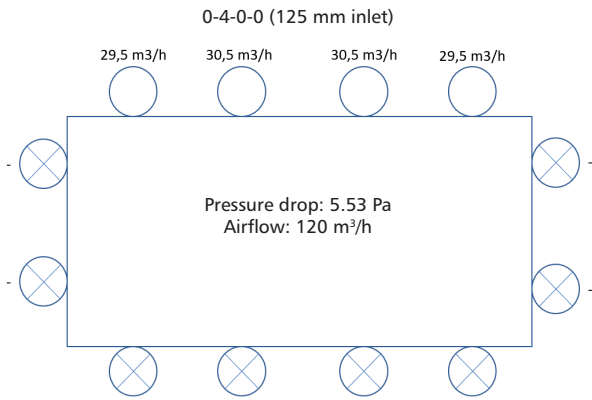


Examples of air flow distribution (supply air):



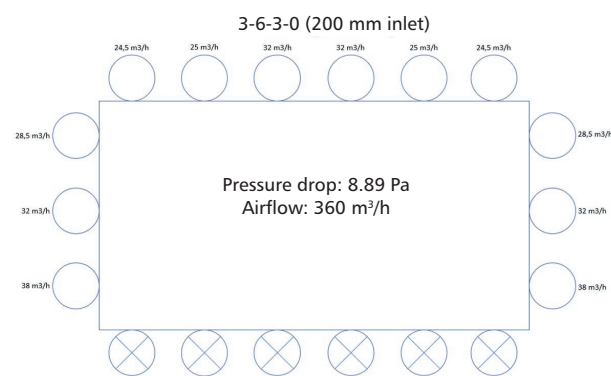
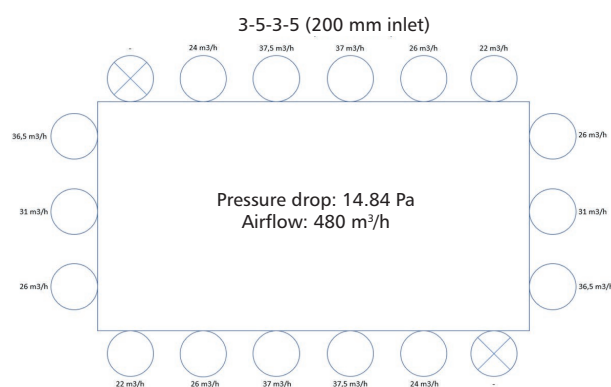
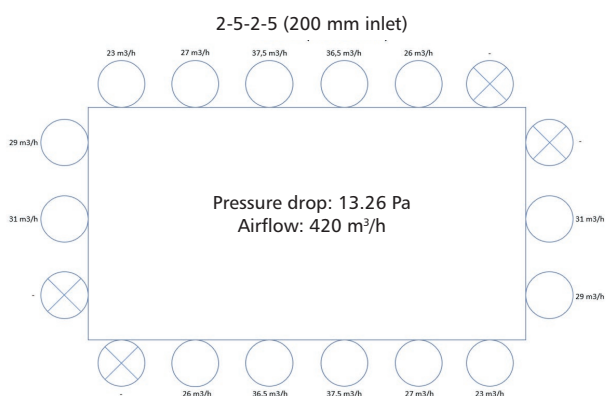
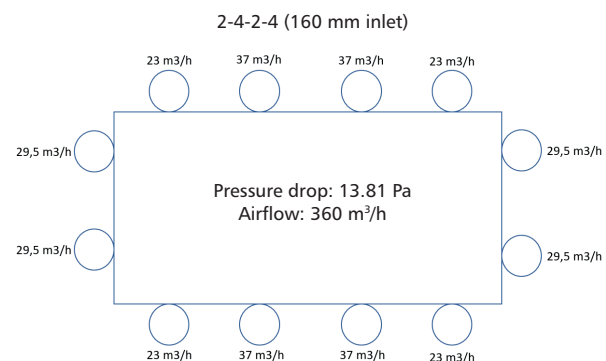
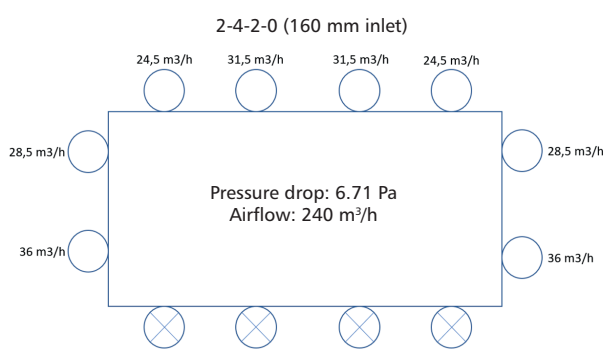
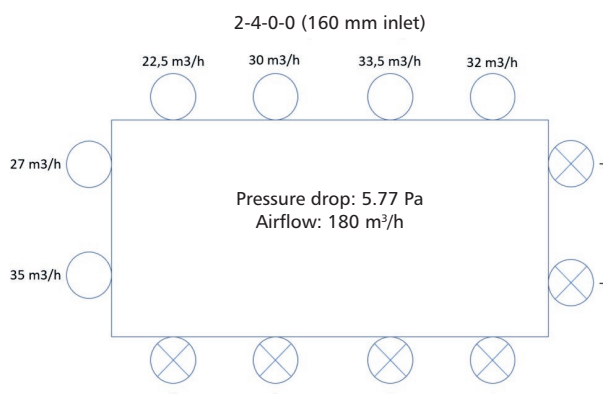
Manifold for FLX-REKU system

FLX-PLO-EPP-R



Manifold for FLX-REKU system

FLX-PLO-EPP-R



Technical data

Service temperature	-25°C do +80°C	PN-EN 17192:2019
Reaction to fire	E	EN 13501-1
Thermal conductivity	$\lambda = 0,0038 \text{ W/}$ $(\text{m}\cdot\text{k})$	PN-EN 12664:2002
Microbial resistance	1a	Metoda A PN-EN ISO 846:2019

Manifold for FLX-REKU system

FLX-PLO-EPP-R

Installation method

To install manifolds (distribution boxes), use:

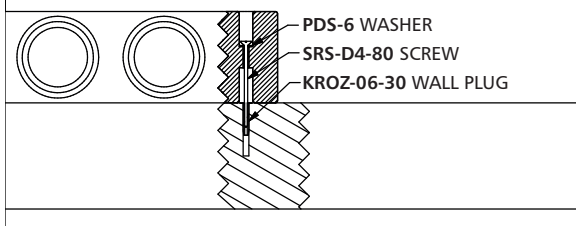
- The set of 4 pieces: washer, screw, wall plug
- The set of 4 pieces: angle bracket, screw



Angle brackets for easy installation
Code: FLX-BRACK-10-EPP

Note! All mounting accessories must be purchased separately!

Installation using wall plugs



Installation using angle brackets

