

Side corner for building SQUER elements

NQ

[Download Wentyle](#)
[Download AlnorCAM](#)
[Order in B2B](#)



Description

Galvanized side corners, NQ are used to connect profiles: PQ 20, 30, 40, so that they made a frame which joins two square ducts. It is possible to make NQ of aid resistant steel and aluminum.

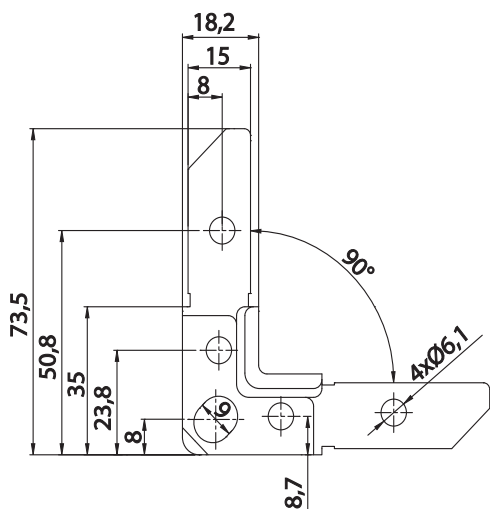
Ordering

Product code: **NQ-20-C**

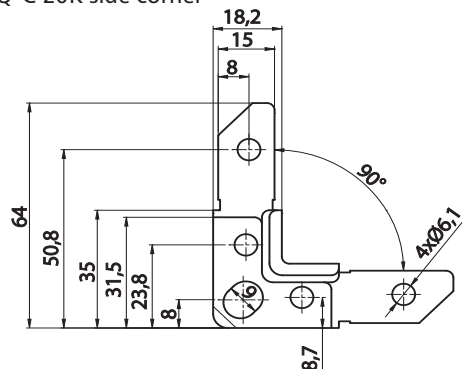
type _____
 material _____

Dimension

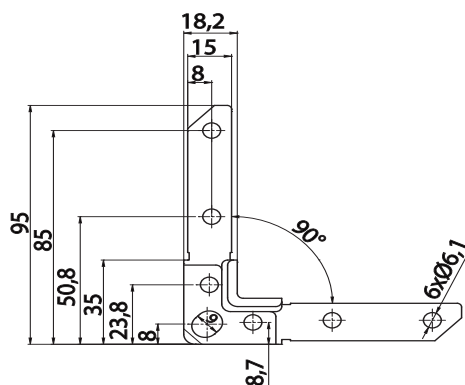
Side corner NQ-C-20



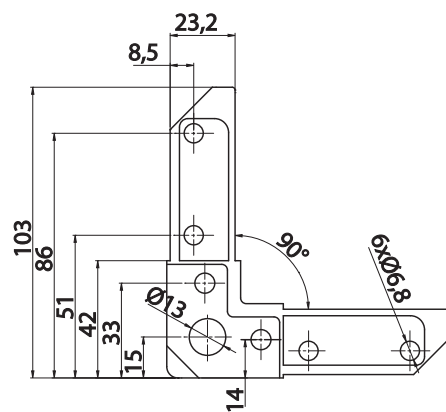
NQ-C-20K side corner



NQ-C-20 side corner L



NQ-C-30 side corner



NQ-C-40 side corner

