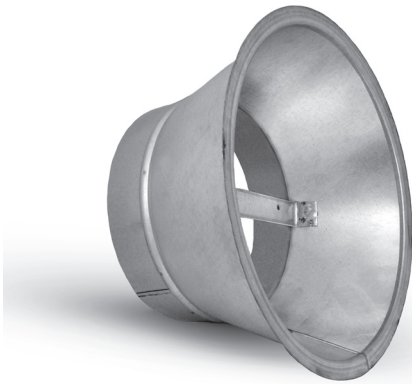
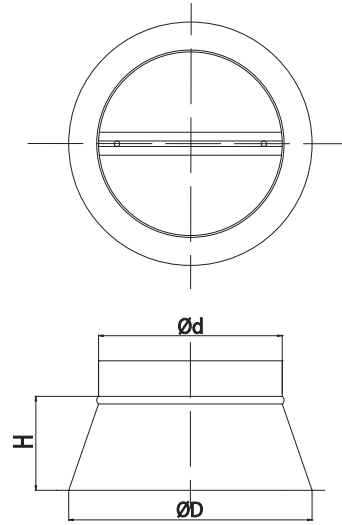


RM-NCD



Dimensions



Description

RM-NCD plenum boxes are connected to whirl air valves in low and medium pressure ventilation systems. They are used to stabilise the air flow and ensure consistent supply of air to the air valve. Outlet take-off can be connected to ventilation systems. They can be provided with a damper fitted to the inlet connector. The boxes can be ordered based on the drawings supplied by the customer.

Symbol explanation:

Connection:

DS – with damper
 BP – without damper

Material: galvanised steel

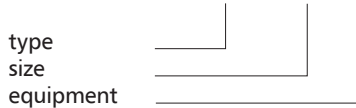
Acid-proof sheet metal upon request

Furnishing:

They are normally left unpainted.
 Upon request they can be powder painted to RAL 9016

Example identification

Product code: **RM-NCD 150 DS**



size	ØD	H
150	220	100
200	270	103
250	320	103
300	370	103
350	420	103