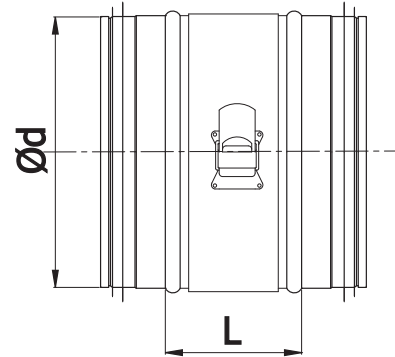




Dimension



Description

Duct filter UFI is used to air flow filtration in round ducts. It is equipped with Class EU4 filter cartridge, which of the two sides is secured with steel wire mesh galvanized. The housing is a round duct of galvanized steel with the seals. Special design allows free exchange contribution. UFI duct filter is designed for mounting between two round ventilation ducts of the standard diameter (100-315mm).

type	Ød [mm]	L [mm]
100	100	70
125	125	70
160	160	70
200	200	70
250	250	70
315	315	70

Ordering

Product code: **UFI-160**

type _____
 diameter _____

Technical Data

